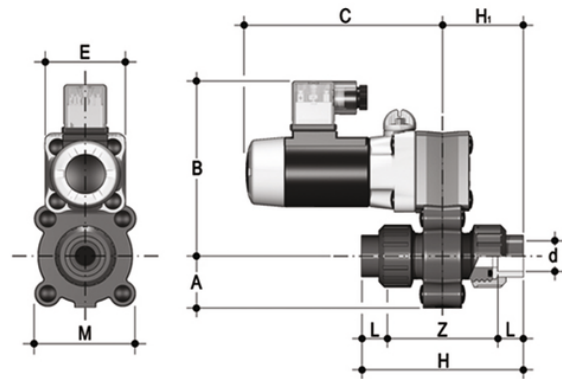


# S22NV - 110V AC - true union 2-way solenoid valve

2 way solenoid valve with NPT threaded female union ends.

Function: Normally closed. Power supply: 110V AC



## EPDM

Reference	d	DN	A	B	C	H	H <sub>1</sub>	L	Z	E	M	g
S22NV0838E110A	3/8"	8	34	115	130	103	51,5	16	71	54	67	1000
S22NV0812E110A	1/2"	8	34	115	130	112	56	20,5	71	54	67	1000
S22NV1038E110A	3/8"	10	34	115	130	103	51,5	16	71	54	67	1000
S22NV1012E110A	1/2"	10	34	115	130	112	56	20,5	71	54	67	1000
S22NV1538E110A	3/8"	15	34	115	130	103	51,5	16	71	54	67	1000
S22NV1512E110A	1/2"	15	34	115	130	112	56	20,5	71	54	67	1000

## S22NV - 110V AC - true union 2-way solenoid valve

Reference	d	DN	A	B	C	H	H <sub>1</sub>	L	Z	E	M	g
S22NV0838F110A	3/8"	8	34	115	130	103	51,5	16	71	54	67	1000
S22NV0812F110A	1/2"	8	34	115	130	112	56	20,5	71	54	67	1000
S22NV1038F110A	3/8"	10	34	115	130	103	51,5	16	71	54	67	1000
S22NV1012F110A	1/2"	10	34	115	130	112	56	20,5	71	54	67	1000
S22NV1538F110A	3/8"	15	34	115	130	103	51,5	16	71	54	67	1000
S22NV1512F110A	1/2"	15	34	115	130	112	56	20,5	71	54	67	1000

## S22NV - 110V AC - true union 2-way solenoid valve

- Installation flexibility and ease of maintenance: high-performance solenoid electric actuator with internal moving parts designed to exceed 5 million maintenance free operating cycles. Adjustable circular section coil with IP65 protection class.
  - DIN 43650 electrical connector supplied as standard: includes LED indicator light and rectifier (in the case of an AC coil).
  - Lever shutter in EPDM or FKM and lever in stainless steel.
  - Suitable for use with aggressive fluids: no metal component in contact with the fluid or the external environment; all the screws are covered by PE protection plugs.
  - Emergency override
- 
- 2-Way PVC-U body
  - Installation flexibility and ease of maintenance: high-performance solenoid electric actuator designed to exceed 5 million maintenance-free operating cycles
  - Adjustable circular section coil with IP65 protection class.
  - Integrated override with the possibility of being installed in 3 different positions.
  - Lever shutter in EPDM or FKM and lever in stainless steel.
  - DIN 43650 electrical connector supplied as standard: includes LED indicator light and rectifier (in the case of an AC coil).