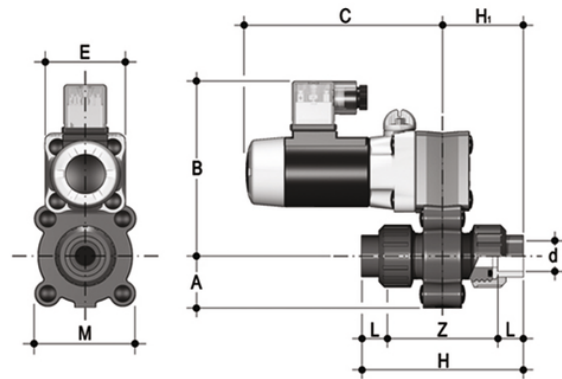


# S22IV - 230V AC - true union 2-way solenoid valve

2 way solenoid valve with female union ends for solvent welding.

Function: Normally closed. Power supply: 230V AC



## EPDM

Reference	d	DN	A	B	C	H	H <sub>1</sub>	L	Z	E	M	g
S22IV0816E230A	16	8	34	115	130	99	50	14	71	54	67	1000
S22IV0820E230A	20	8	34	115	130	103	52	16	71	54	67	1000
S22IV1016E230A	16	10	34	115	130	99	50	14	71	54	67	1000
S22IV1020E230A	20	10	34	115	130	103	52	16	71	54	67	1000
S22IV1516E230A	16	15	34	115	130	99	50	14	71	54	67	1000
S22IV1520E230A	20	15	34	115	130	103	52	16	71	54	67	1000

## S22IV - 230V AC - true union 2-way solenoid valve

Reference	d	DN	A	B	C	H	H <sub>1</sub>	L	Z	E	M	g
S22IV0816F230A	16	8	34	115	130	99	50	14	71	54	67	1000
S22IV0820F230A	20	8	34	115	130	103	52	16	71	54	67	1000
S22IV1016F230A	16	10	34	115	130	99	50	14	71	54	67	1000
S22IV1020F230A	20	10	34	115	130	103	52	16	71	54	67	1000
S22IV1516F230A	16	15	34	115	130	99	50	14	71	54	67	1000
S22IV1520F230A	20	15	34	115	130	103	52	16	71	54	67	1000

## S22IV - 230V AC - true union 2-way solenoid valve

- Installation flexibility and ease of maintenance: high-performance solenoid electric actuator with internal moving parts designed to exceed 5 million maintenance free operating cycles. Adjustable circular section coil with IP65 protection class.
  - DIN 43650 electrical connector supplied as standard: includes LED indicator light and rectifier (in the case of an AC coil).
  - Lever shutter in EPDM or FKM and lever in stainless steel.
  - Suitable for use with aggressive fluids: no metal component in contact with the fluid or the external environment; all the screws are covered by PE protection plugs.
  - Emergency override
- 
- 2-Way PVC-U body
  - Installation flexibility and ease of maintenance: high-performance solenoid electric actuator designed to exceed 5 million maintenance-free operating cycles
  - Adjustable circular section coil with IP65 protection class.
  - Integrated override with the possibility of being installed in 3 different positions.
  - Lever shutter in EPDM or FKM and lever in stainless steel.
  - DIN 43650 electrical connector supplied as standard: includes LED indicator light and rectifier (in the case of an AC coil).