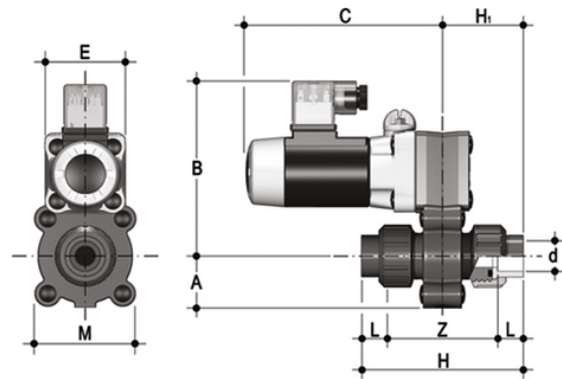


S22IV - 12V DC - true union 2-way solenoid valve

2 way solenoid valve with female union ends for solvent welding.

Function: Normally closed. Power supply: 12V DC



EPDM

Reference	d	DN	A	B	C	H	H ₁	L	Z	E	M	g
S22IV0816E012C	16	8	34	115	130	99	50	14	71	54	67	1000
S22IV0820E012C	20	8	34	115	130	103	52	16	71	54	67	1000
S22IV1016E012C	16	10	34	115	130	99	50	14	71	54	67	1000
S22IV1020E012C	20	10	34	115	130	103	52	16	71	54	67	1000
S22IV1516E012C	16	15	34	115	130	99	50	14	71	54	67	1000
S22IV1520E012C	20	15	34	115	130	103	52	16	71	54	67	1000

S22IV - 12V DC - true union 2-way solenoid valve

Reference	d	DN	A	B	C	H	H ₁	L	Z	E	M	g
S22IV0816F012C	16	8	34	115	130	99	50	14	71	54	67	1000
S22IV0820F012C	20	8	34	115	130	103	52	16	71	54	67	1000
S22IV1016F012C	16	10	34	115	130	99	50	14	71	54	67	1000
S22IV1020F012C	20	10	34	115	130	103	52	16	71	54	67	1000
S22IV1516F012C	16	15	34	115	130	99	50	14	71	54	67	1000
S22IV1520F012C	20	15	34	115	130	103	52	16	71	54	67	1000

S22IV - 12V DC - true union 2-way solenoid valve

- Installation flexibility and ease of maintenance: high-performance solenoid electric actuator with internal moving parts designed to exceed 5 million maintenance free operating cycles. Adjustable circular section coil with IP65 protection class.
 - DIN 43650 electrical connector supplied as standard: includes LED indicator light and rectifier (in the case of an AC coil).
 - Lever shutter in EPDM or FKM and lever in stainless steel.
 - Suitable for use with aggressive fluids: no metal component in contact with the fluid or the external environment; all the screws are covered by PE protection plugs.
 - Emergency override
-
- 2-Way PVC-U body
 - Installation flexibility and ease of maintenance: high-performance solenoid electric actuator designed to exceed 5 million maintenance-free operating cycles
 - Adjustable circular section coil with IP65 protection class.
 - Integrated override with the possibility of being installed in 3 different positions.
 - Lever shutter in EPDM or FKM and lever in stainless steel.
 - DIN 43650 electrical connector supplied as standard: includes LED indicator light and rectifier (in the case of an AC coil).