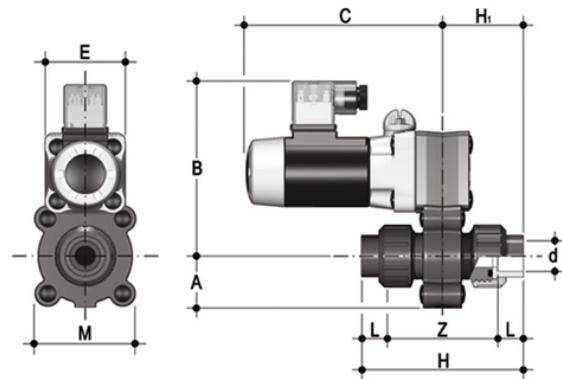


# S12NV - 230V AC -true union 2-way solenoid valve

2 way solenoid valve with NPT threaded female union ends.

Function: Normally closed. Power supply: 230V AC



## EPDM

| Reference      | d    | DN | A  | B   | C   | H  | H <sub>1</sub> | L  | Z  | E  | M  | g   |
|----------------|------|----|----|-----|-----|----|----------------|----|----|----|----|-----|
| S12NV0414E230A | 1/4" | 4  | 24 | 100 | 103 | 91 | 46             | 15 | 61 | 42 | 52 | 400 |
| S12NV0438E230A | 3/8" | 4  | 24 | 100 | 103 | 92 | 46             | 16 | 60 | 42 | 52 | 400 |
| S12NV0614E230A | 1/4" | 6  | 24 | 100 | 103 | 91 | 45             | 15 | 61 | 42 | 52 | 400 |
| S12NV0638E230A | 3/8" | 6  | 24 | 100 | 103 | 92 | 46             | 16 | 60 | 42 | 52 | 400 |
| S12NV0814E230A | 1/4" | 8  | 24 | 100 | 103 | 91 | 45             | 15 | 61 | 42 | 52 | 400 |
| S12NV0838E230A | 3/8" | 8  | 24 | 100 | 103 | 92 | 46             | 16 | 60 | 42 | 52 | 400 |

## S12NV - 230V AC -true union 2-way solenoid valve

| Reference      | d    | DN | A  | B   | C   | H  | H <sub>1</sub> | L  | Z  | E  | M  | g   |
|----------------|------|----|----|-----|-----|----|----------------|----|----|----|----|-----|
| S12NV0414F230A | 1/4" | 4  | 24 | 100 | 103 | 91 | 45             | 15 | 61 | 42 | 52 | 400 |
| S12NV0438F230A | 3/8" | 4  | 24 | 100 | 103 | 92 | 46             | 16 | 60 | 42 | 52 | 400 |
| S12NV0614F230A | 1/4" | 6  | 24 | 100 | 103 | 91 | 45             | 15 | 61 | 42 | 52 | 400 |
| S12NV0638F230A | 3/8" | 6  | 24 | 100 | 103 | 92 | 46             | 16 | 60 | 42 | 52 | 400 |
| S12NV0814F230A | 1/4" | 8  | 24 | 100 | 103 | 91 | 45             | 15 | 61 | 42 | 52 | 400 |
| S12NV0838F230A | 3/8" | 8  | 24 | 100 | 103 | 92 | 46             | 16 | 60 | 42 | 52 | 400 |

# S12NV - 230V AC -true union 2-way solenoid valve

- Installation flexibility and ease of maintenance: high-performance solenoid electric actuator with internal moving parts designed to exceed 5 million maintenance free operating cycles. Adjustable circular section coil with IP65 protection class.
  - DIN 43650 electrical connector supplied as standard: includes LED indicator light and rectifier (in the case of an AC coil).
  - Lever shutter in EPDM or FKM and lever in stainless steel.
  - Suitable for use with aggressive fluids: no metal component in contact with the fluid or the external environment; all the screws are covered by PE protection plugs.
  - Emergency override
- 
- 2-Way PVC-U body
  - Installation flexibility and ease of maintenance: high-performance solenoid electric actuator designed to exceed 5 million maintenance-free operating cycles
  - Adjustable circular section coil with IP65 protection class.
  - Integrated override with the possibility of being installed in 3 different positions.
  - Lever shutter in EPDM or FKM and lever in stainless steel.
  - DIN 43650 electrical connector supplied as standard: includes LED indicator light and rectifier (in the case of an AC coil).