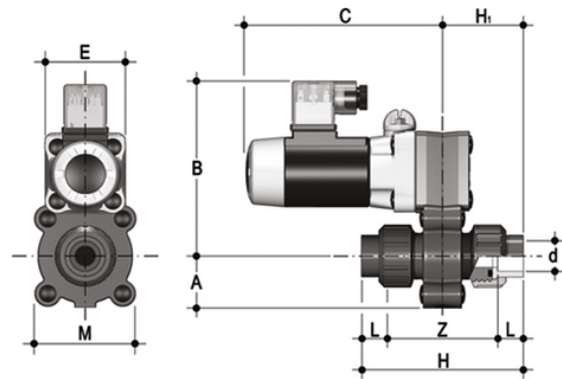


S12LV - 230V AC - true union 2-way solenoid valve

2 way solenoid valve with BS female union ends for solvent welding.

Function: Normally closed. Power supply: 230V AC



EPDM

| Reference | d | DN | A | B | C | H | H ₁ | L | Z | E | M | g |
|----------------|------|----|----|-----|-----|----|----------------|----|----|----|----|-----|
| S12LV0438E230A | 3/8" | 4 | 24 | 100 | 103 | 88 | 44 | 14 | 60 | 42 | 52 | 400 |
| S12LV0638E230A | 3/8" | 6 | 24 | 100 | 103 | 88 | 44 | 14 | 60 | 42 | 52 | 400 |
| S12LV0838E230A | 3/8" | 8 | 24 | 100 | 103 | 88 | 44 | 14 | 60 | 42 | 52 | 400 |

S12LV - 230V AC - true union 2-way solenoid valve

| Reference | d | DN | A | B | C | H | H ₁ | L | Z | E | M | g |
|----------------|------|----|----|-----|-----|----|----------------|----|----|----|----|-----|
| S12LV0438F230A | 3/8" | 4 | 24 | 100 | 103 | 88 | 44 | 14 | 60 | 42 | 52 | 400 |
| S12LV0638F230A | 3/8" | 6 | 24 | 100 | 103 | 88 | 44 | 14 | 60 | 42 | 52 | 400 |
| S12LV0838F230A | 3/8" | 8 | 24 | 100 | 103 | 88 | 44 | 14 | 60 | 42 | 52 | 400 |

S12LV – 230V AC – true union 2-way solenoid valve

- Installation flexibility and ease of maintenance: high-performance solenoid electric actuator with internal moving parts designed to exceed 5 million maintenance free operating cycles. Adjustable circular section coil with IP65 protection class.
 - DIN 43650 electrical connector supplied as standard: includes LED indicator light and rectifier (in the case of an AC coil).
 - Lever shutter in EPDM or FKM and lever in stainless steel.
 - Suitable for use with aggressive fluids: no metal component in contact with the fluid or the external environment; all the screws are covered by PE protection plugs.
 - Emergency override
-
- 2-Way PVC-U body
 - Installation flexibility and ease of maintenance: high-performance solenoid electric actuator designed to exceed 5 million maintenance-free operating cycles
 - Adjustable circular section coil with IP65 protection class.
 - Integrated override with the possibility of being installed in 3 different positions.
 - Lever shutter in EPDM or FKM and lever in stainless steel.
 - DIN 43650 electrical connector supplied as standard: includes LED indicator light and rectifier (in the case of an AC coil).