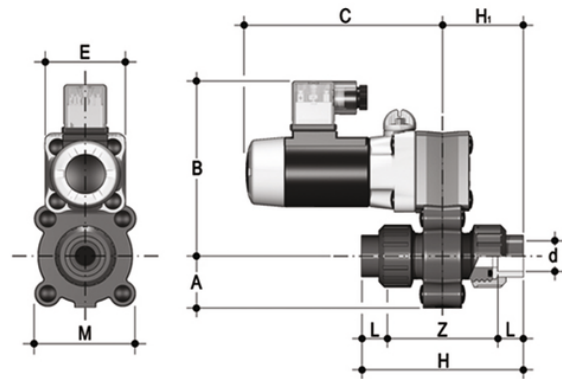


# S12FV - 12V DC - true union 2-way solenoid valve

2 way solenoid valve with BSP threaded female union ends.

Function: Normally closed. Power supply: 12V DC



## EPDM

Reference	d	DN	A	B	C	H	H <sub>1</sub>	L	Z	E	M	g
S12FV0414E012C	1/4"	4	24	100	103	85	42	11	63	42	52	400
S12FV0438E012C	3/8"	4	24	100	103	86	43	11,5	63	42	52	400
S12FV0614E012C	1/4"	6	24	100	103	85	42	11	63	42	52	400
S12FV0638E012C	3/8"	6	24	100	103	86	43	11,5	63	42	52	400
S12FV0814E012C	1/4"	8	24	100	103	85	42	11	63	42	52	400
S12FV0838E012C	3/8"	8	24	100	103	86	43	11,5	63	42	52	400

## S12FV - 12V DC - true union 2-way solenoid valve

Reference	d	DN	A	B	C	H	H <sub>1</sub>	L	Z	E	M	g
S12FV0414F012C	1/4"	4	24	100	103	85	42	11	63	42	52	400
S12FV0438F012C	3/8"	4	24	100	103	86	43	11,5	63	42	52	400
S12FV0614F012C	1/4"	6	24	100	103	85	42	11	63	42	52	400
S12FV0638F012C	3/8"	6	24	100	103	86	43	11,5	63	42	52	400
S12FV0814F012C	1/4"	8	24	100	103	85	42	11	63	42	52	400
S12FV0838F012C	3/8"	8	24	100	103	86	43	11,5	63	42	52	400

# S12FV – 12V DC – true union 2-way solenoid valve

- Installation flexibility and ease of maintenance: high-performance solenoid electric actuator with internal moving parts designed to exceed 5 million maintenance free operating cycles. Adjustable circular section coil with IP65 protection class.
  - DIN 43650 electrical connector supplied as standard: includes LED indicator light and rectifier (in the case of an AC coil).
  - Lever shutter in EPDM or FKM and lever in stainless steel.
  - Suitable for use with aggressive fluids: no metal component in contact with the fluid or the external environment; all the screws are covered by PE protection plugs.
  - Emergency override
- 
- 2-Way PVC-U body
  - Installation flexibility and ease of maintenance: high-performance solenoid electric actuator designed to exceed 5 million maintenance-free operating cycles
  - Adjustable circular section coil with IP65 protection class.
  - Integrated override with the possibility of being installed in 3 different positions.
  - Lever shutter in EPDM or FKM and lever in stainless steel.
  - DIN 43650 electrical connector supplied as standard: includes LED indicator light and rectifier (in the case of an AC coil).