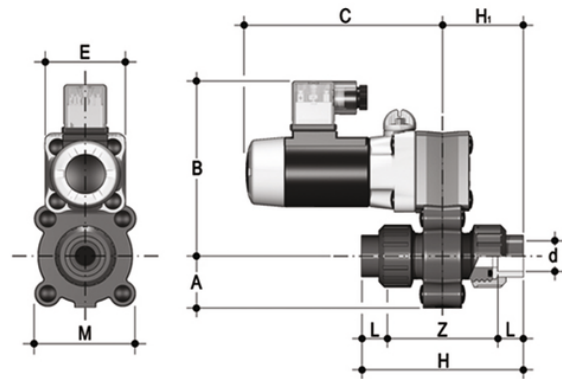


S12AV - 24V DC - true union 2-way solenoid valve

2 way solenoid valve with ASTM female union ends for solvent welding.

Function: Normally closed. Power supply: 24V DC



EPDM

Reference	d	DN	A	B	C	H	H ₁	L	Z	E	M	g
S12AV0414E024C	1/4"	4	24	100	103	92	46	16	60	42	52	400
S12AV0438E024C	3/8"	4	24	100	103	98	49	19	60	42	52	400
S12AV0614E024C	1/4"	6	24	100	103	92	46	16	60	42	52	400
S12AV0638E024C	3/8"	6	24	100	103	98	49	19	60	42	52	400
S12AV0814E024C	1/4"	8	24	100	103	92	46	16	60	42	52	400
S12AV0838E024C	3/8"	8	24	100	103	98	49	19	60	42	52	400

S12AV - 24V DC - true union 2-way solenoid valve

Reference	d	DN	A	B	C	H	H ₁	L	Z	E	M	g
S12AV0414F024C	1/4"	4	24	100	103	92	46	16	60	42	52	400
S12AV0438F024C	3/8"	4	24	100	103	98	49	19	60	42	52	400
S12AV0614F024C	1/4"	6	24	100	103	92	46	16	60	42	52	400
S12AV0638F024C	3/8"	6	24	100	103	98	49	19	60	42	52	400
S12AV0814F024C	1/4"	8	24	100	103	92	46	16	60	42	52	400
S12AV0838F024C	12	8	24	100	103	84	42	12	60	42	52	400



S12AV – 24V DC – true union 2-way solenoid valve

- Installation flexibility and ease of maintenance: high-performance solenoid electric actuator with internal moving parts designed to exceed 5 million maintenance free operating cycles. Adjustable circular section coil with IP65 protection class.
 - DIN 43650 electrical connector supplied as standard: includes LED indicator light and rectifier (in the case of an AC coil).
 - Lever shutter in EPDM or FKM and lever in stainless steel.
 - Suitable for use with aggressive fluids: no metal component in contact with the fluid or the external environment; all the screws are covered by PE protection plugs.
 - Emergency override
-
- 2-Way PVC-U body
 - Installation flexibility and ease of maintenance: high-performance solenoid electric actuator designed to exceed 5 million maintenance-free operating cycles
 - Adjustable circular section coil with IP65 protection class.
 - Integrated override with the possibility of being installed in 3 different positions.
 - Lever shutter in EPDM or FKM and lever in stainless steel.
 - DIN 43650 electrical connector supplied as standard: includes LED indicator light and rectifier (in the case of an AC coil).