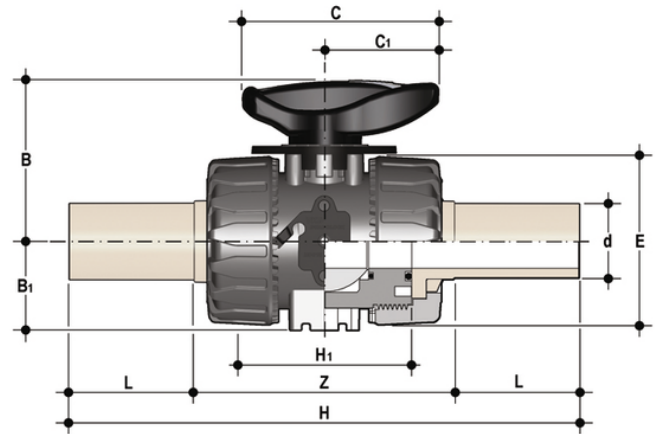


VKRBF/SF - DUAL BLOCK® regulating ball valve DN 10:50

DUAL BLOCK® regulating ball valve with long spigot male ends in PVDF for butt welding/ IR (CVDF).



Reference	d	DN	PN	B	B ₁	C	C ₁	E	H	H ₁	L	Z	g
VKRBF020FOSF	20	15	16	54	29	67	40	54	175	65	40,5	94	450
VKRBF025FOSF	25	20	16	65	35	85	49	65	212	70	54	106	516
VKRBF032FOSF	32	25	16	70	39	85	49	73	226	78	56	117	664
VKRBF040FOSF	40	32	16	83	46	108	64	86	246	88	56	131	1020
VKRBF050FOSF	50	40	16	89	52	108	64	98	271	93	60,5	145	1350
VKRBF063FOSF	63	50	16	108	62	134	76	122	300	111	65,5	161	2330

VKRBF/SF – DUAL BLOCK®

regulating ball valve DN 10:50

- HIPVC ergonomic multifunctional handle with **position indicator** and tool to adjust the ball seat carrier
- Flow direction and opening angle indication plate with **graduated scale with 5° detail** for clear and accurate readings
- 90° operating angle that permits **the use of standard** quarter turn **actuators**
- The patented ball design provides **linear flow adjustment** throughout its range of operation even when the valve is open just a few degrees and guarantees minimum pressure drops
- Patented **DUAL BLOCK®** system: prevents union nuts from loosening even under extreme operating conditions: e.g. vibration or thermal expansion

- Connection system for solvent weld, threaded and flanged joints
- Patented **SEAT STOP®** ball carrier system that lets you micro-adjust seals and minimise the axial force effect
- Easy radial dismounting allowing quick replacement of O-rings and ball seats without any need for tools
- **PN16 True Union valve body** made for rigid PVC-U injection moulding equipped with built-in bores for actuation. ISO 9393 compliant test requisites
- Option of dismounting downstream pipes with the valve in the closed position
- High surface finish stem with double O-Ring and double connection key to ball
- **Integrated bracket** for valve anchoring
- Ball seat carrier can be adjusted using the **Easytorque adjustment kit**
- Actuation option: version with electric modulating actuator with 4-20 mA / 0-10 V inlet and 4-20 mA / 0-10 V outlet to monitor the position
- Valve suitable for carrying fluids that are clean and free of suspended particles