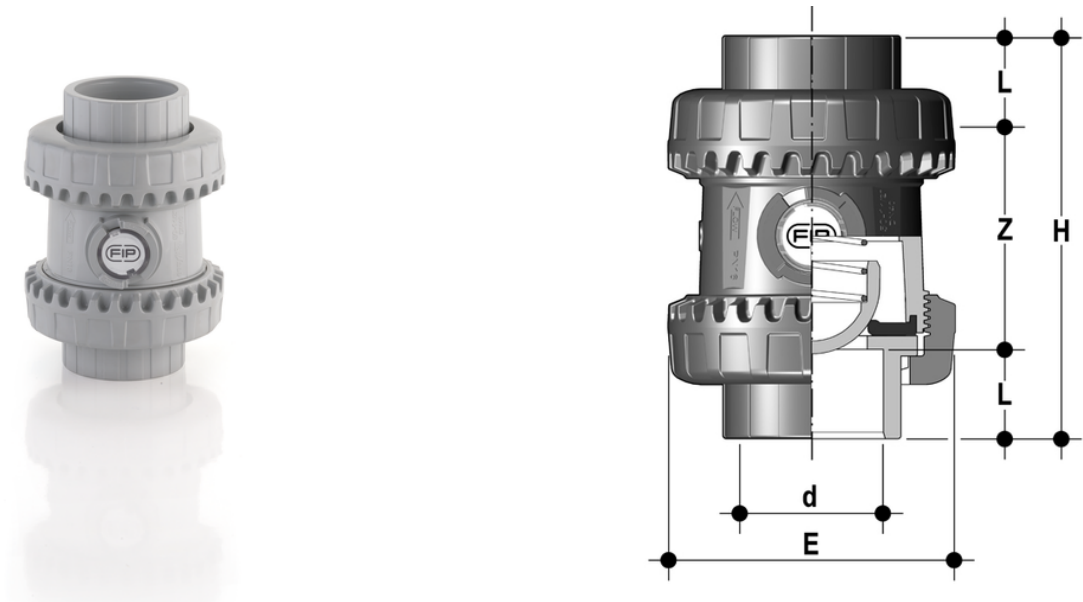


# SSEIC/Hastelloy - Easyfit True Union spring check valve DN 10:50

True Union Spring Check Valve Easyfit with metric plain socket ends for solvent welding. Spring in Hastelloy C276.



## EPDM

Reference	d	DN	PN	E	H	L	Z	g
SSEIC016EH	16	10	16	54	82	14	54	157
SSEIC020EH	20	15	16	54	82	16	50	160
SSEIC025EH	25	20	16	63	91	19	53	198
SSEIC032EH	32	25	16	72	103	22	59	315

## FKM

Reference	d	DN	PN	E	H	L	Z	g
SSEIC016FH	16	10	16	54	82	14	54	157
SSEIC020FH	20	15	16	54	82	16	50	160
SSEIC025FH	25	20	16	63	91	19	53	198
SSEIC032FH	32	25	16	72	103	22	59	315

# SSEIC/Hastelloy – Easyfit True Union spring check valve DN 10:50

- **Customisable Labelling System: built-in LCE module** on the valve body made up of transparent protection plug and customisable tag holder using the LSE set (available as accessory). The customisation potential **lets you identify the valve on the system** according to specific needs.
- Ideal for horizontal installations: **perfect seal even with low back pressure. Silent** and durable even with strong vibrations and pulsating fluid
- PVC-C shutter and springs available made of STAINLESS steel 316, Hastelloy C276, A316 PTFE encapsulated: maximum reliability in a wide field of applications from salt water to aggressive acids
- Connection system for solvent weld and threaded joints
- Valve material compatibility (PVC-C) **with water conveyance, drinking water and other food substances according to** current regulations
- **PN16 True Union valve body** made for PVC-C injection moulding and European Directive 2014/68/EU (PED) compliant for pressurised equipment. ISO 9393 compliant test requirements
- **Short face to face dimension** according to international regulation ISO 7508 series III "short" and fully interchangeable with VXE DN 10÷50 ball valve models
- Union nuts with rack for tightening adjustment via Easyfit handle or via Easytorque adjustment kit (available as accessories)
- Can be **installed** in either a **vertical** or **horizontal** position