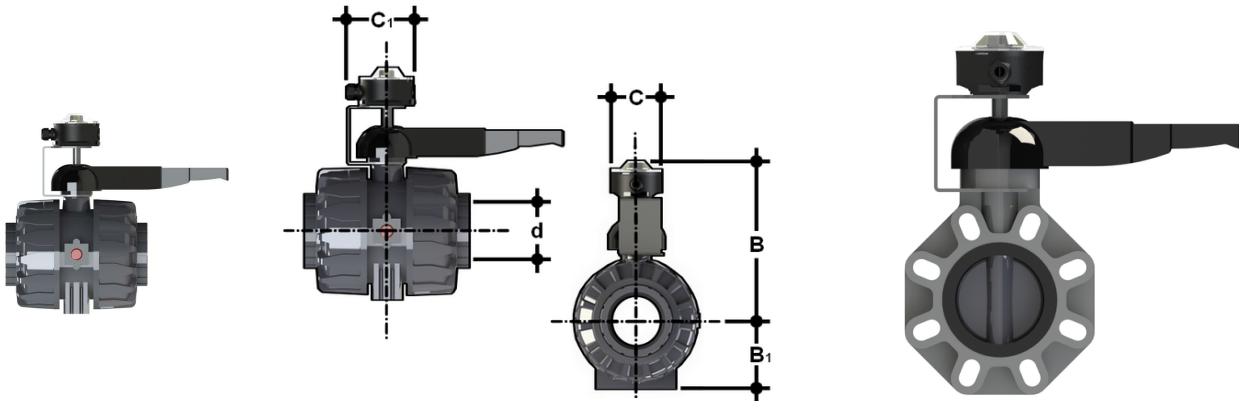


LS Quick Kit DN65-100

The Limit Switch Quick Kit allows the fast and secure installation of the FIP LSQT to the VKD Dualblock valves DN65-100.

This kit can also be installed on FK DN65-150 butterfly valves.

The kit can be assembled on the valve even if already installed on the system.



Reference	DN	B	B ₁	C	C[5:1]	To be used with:
LSQKIT75160	65 - 80 - 100	275 - 286,7 - 305,5	87 - 105 - 129	103	126,9	VKD - FK