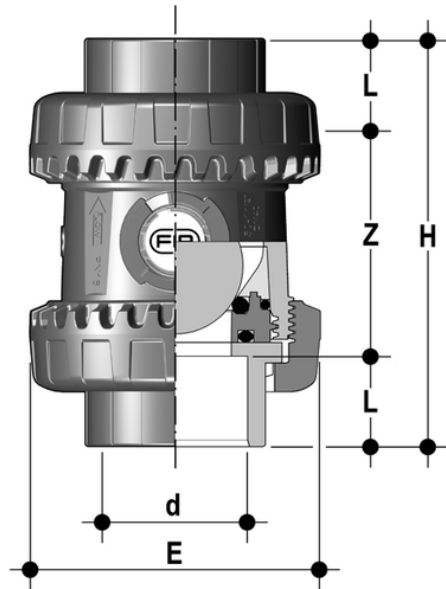


Easyfit ball check valve with female ends for solvent welding, metric series.



Reference	d	DN	PN	E	H	L	Z	g
SXEIA020F	20	15	16	54	82	16	50	148
SXEIA025F	25	20	16	63	91	19	53	190
SXEIA032F	32	25	16	72	103	22	59	300
SXEIA040F	40	32	16	85	120	26	68	460
SXEIA050F	50	40	16	100	139	31	77	675
SXEIA063F	63	50	16	118	174	38	98	1080