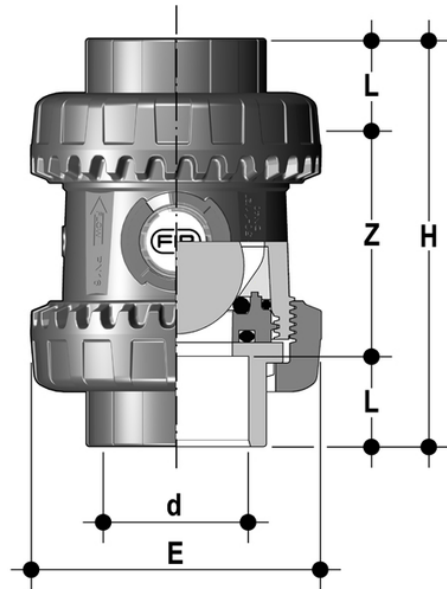


Easyfit Air Relief valve with female ends for solvent welding, metric series.



Reference	d	DN	PN	E	H	L	Z	g
SAIA020F	20	15	16	54	82	16	50	148
SAIA025F	25	20	16	63	91	19	53	190
SAIA032F	32	25	16	72	103	22	59	300
SAIA040F	40	32	16	85	120	26	68	460
SAIA050F	50	40	16	100	139	31	77	675
SAIA063F	63	50	16	118	174	38	98	1080