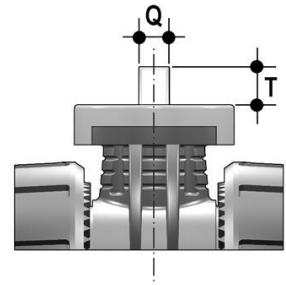
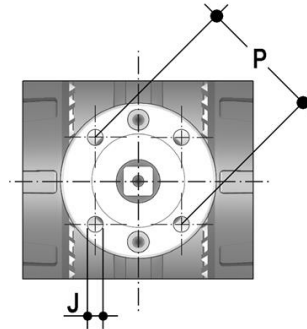
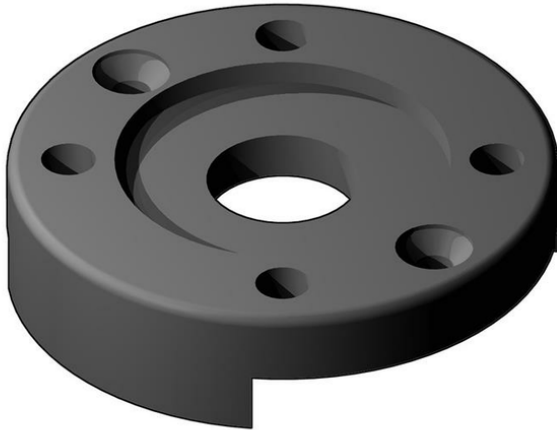


AKVKD - Actuation Kit

Actuation Kit for VKD DN 65÷100 composed by adapter plate, square reduction and bolting.



Reference	DN	P X J	T	Q
AKVKD075110	75 - 90 - 110	F07x9	16 - 16 - 19	14 - 14 - 17