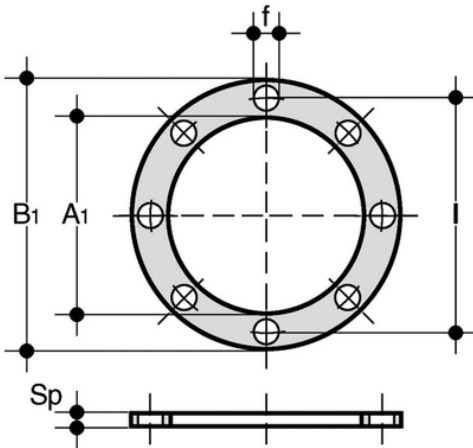


QHV/Y - Flat gasket

Flat gasket in EPDM for flanges according to EN 1092, self-centring for flanges drilled PN 10/16.



Reference	d	DN	A[5:1]	B ₁	F	l	U	Sp
QHVV020E	20 - 1/2"	15	17	95	14	65	4	2
QHVV025E	25 - 3/4"	20	22	107	14	76,3	4	2
QHVV032E	32 - 1"	25	28	117	14	86,5	4	2
QHVV040E	40 - 1" 1/4	32	36	142,5	18	101	4	2
QHVV050E	50 - 1" 1/2	40	45	153,3	18	111	4	2
QHVV063E	63 - 2"	50	57	168	18	125,5	4	2
QHVV075E	75 - 2" 1/2	65	71	187,5	18	145,5	4	3
QHVV090E	90 - 3"	80	84	203	18	160	8	3
QHVV110E	110 - 4"	100	102	223	18	181	8	3