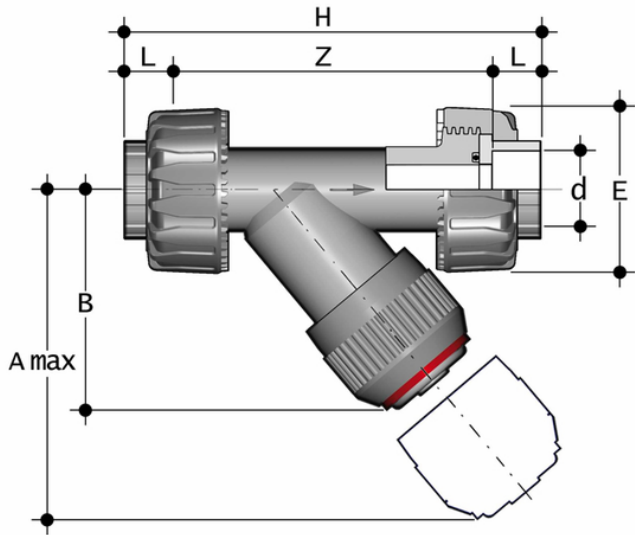


Sediment strainer with female union ends for solvent welding, metric series.



| Reference | d | DN | PN | A max | B | E | H | L | Z | g |
|-----------|----|----|----|-------|-----|-----|-----|----|-----|------|
| RVUIA020F | 20 | 15 | 16 | 125 | 72 | 55 | 135 | 16 | 103 | 231 |
| RVUIA025F | 25 | 20 | 16 | 145 | 84 | 66 | 158 | 19 | 120 | 392 |
| RVUIA032F | 32 | 25 | 16 | 165 | 95 | 75 | 176 | 22 | 132 | 576 |
| RVUIA040F | 40 | 32 | 16 | 190 | 111 | 87 | 207 | 26 | 155 | 802 |
| RVUIA050F | 50 | 40 | 16 | 210 | 120 | 100 | 243 | 31 | 181 | 1199 |
| RVUIA063F | 63 | 50 | 16 | 240 | 139 | 120 | 298 | 38 | 222 | 2018 |