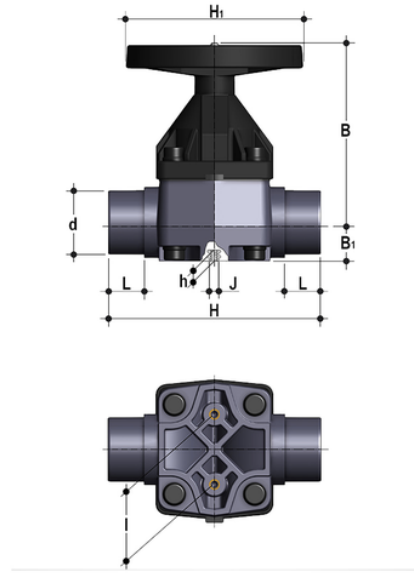


PTFE

Diaphragm valve with male ends for solvent welding, metric series.



Reference	d	DN	PN	B	B ₁	H	H ₁	h	l	J	L	g
VMDA090P	90	80	*10	225	55	300	200	23	100	M12	51	7290
VMDA110P	110	100	*10	295	69	340	250	23	120	M12	61	10900