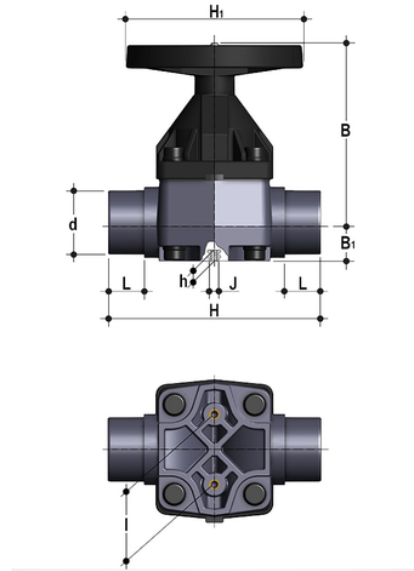


Diaphragm valve with male ends for solvent welding, metric series.



Reference	d	DN	PN	B	B <sub>1</sub>	H	H <sub>1</sub>	h	l	J	L	g
VMDA090F	90	80	*10	225	55	300	200	23	100	M12	51	7290
VMDA110F	110	100	*10	295	69	340	250	23	120	M12	61	10900