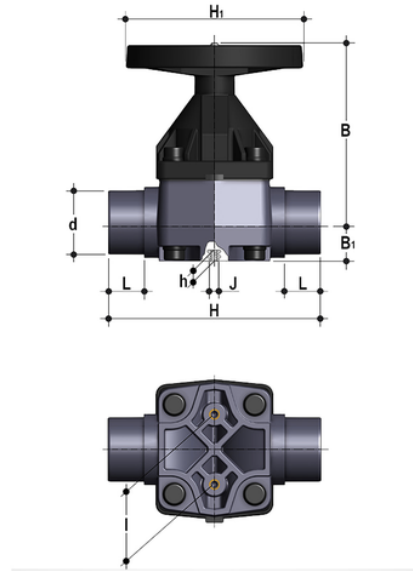


EPDM

Diaphragm valve with male ends for solvent welding, metric series.



| Reference | d | DN | PN | B | B ₁ | H | H ₁ | h | l | J | L | g |
|-----------|-----|-----|-----|-----|----------------|-----|----------------|----|-----|-----|----|-------|
| VMDA090E | 90 | 80 | *10 | 225 | 55 | 300 | 200 | 23 | 100 | M12 | 51 | 7290 |
| VMDA110E | 110 | 100 | *10 | 295 | 69 | 340 | 250 | 23 | 120 | M12 | 61 | 10900 |