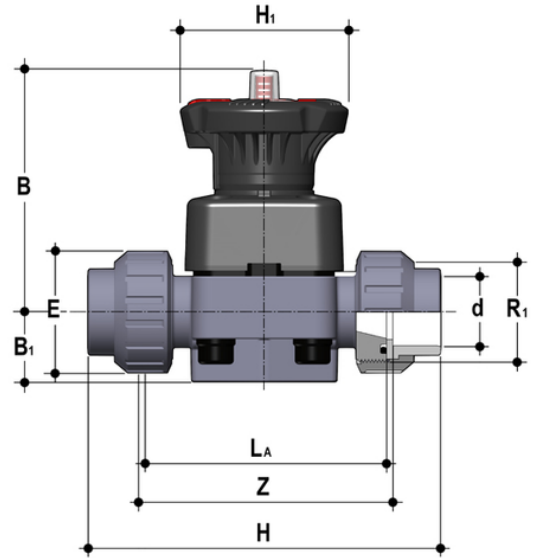


DIALOCK® diaphragm valve with female union ends for solvent welding, metric series.



| Reference | d | DN | PN | B | B ₁ | E | H | H ₁ | La | R ₁ | Z | g |
|-----------|----|----|----|-----|----------------|----|-----|----------------|-----|----------------|-----|------|
| DKUIA020F | 20 | 15 | 10 | 102 | 25 | 41 | 129 | 80 | 90 | 1" | 100 | 509 |
| DKUIA025F | 25 | 20 | 10 | 105 | 30 | 50 | 154 | 80 | 108 | 1"1/4 | 116 | 576 |
| DKUIA032F | 32 | 25 | 10 | 114 | 33 | 58 | 168 | 80 | 116 | 1"1/2 | 124 | 812 |
| DKUIA040F | 40 | 32 | 10 | 119 | 30 | 72 | 192 | 80 | 134 | 2" | 140 | 945 |
| DKUIA050F | 50 | 40 | 10 | 149 | 35 | 79 | 222 | 120 | 154 | 2"1/4 | 160 | 1814 |
| DKUIA063F | 63 | 50 | 10 | 172 | 46 | 98 | 266 | 120 | 184 | 2"3/4 | 190 | 2752 |