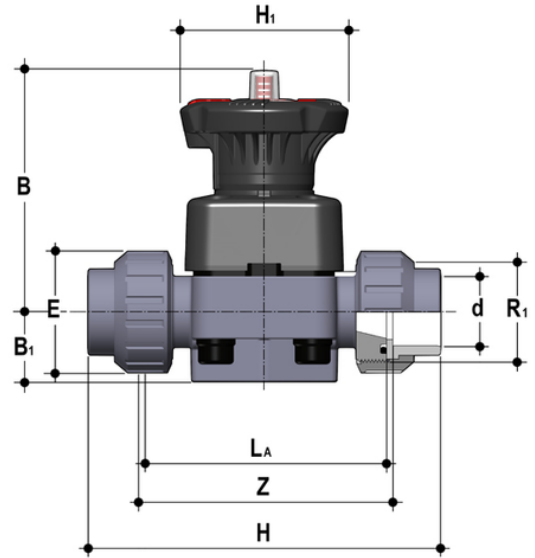


EPDM

DIALOCK® diaphragm valve with female union ends for solvent welding, metric series.



Reference	d	DN	PN	B	B ₁	E	H	H ₁	La	R ₁	Z	g
DKUIA020E	20	15	10	102	25	41	129	80	90	1"	100	509
DKUIA025E	25	20	10	105	30	50	154	80	108	1"1/4	116	576
DKUIA032E	32	25	10	114	33	58	168	80	116	1"1/2	124	812
DKUIA040E	40	32	10	119	30	72	192	80	134	2"	140	945
DKUIA050E	50	40	10	149	35	79	222	120	154	2"1/4	160	1814
DKUIA063E	63	50	10	172	46	98	266	120	184	2"3/4	190	2752