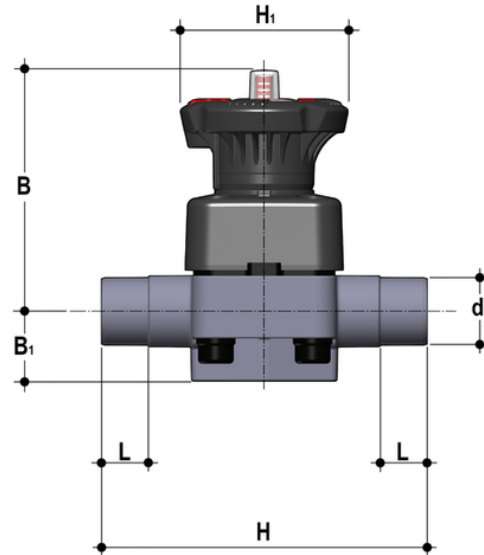


PTFE

DIALOCK® diaphragm valve with male ends for solvent welding, metric series.



Reference	d	DN	PN	B	B ₁	H	H ₁	L	g
DKDA075P	75	65	10	172	46	284	120	44	2430