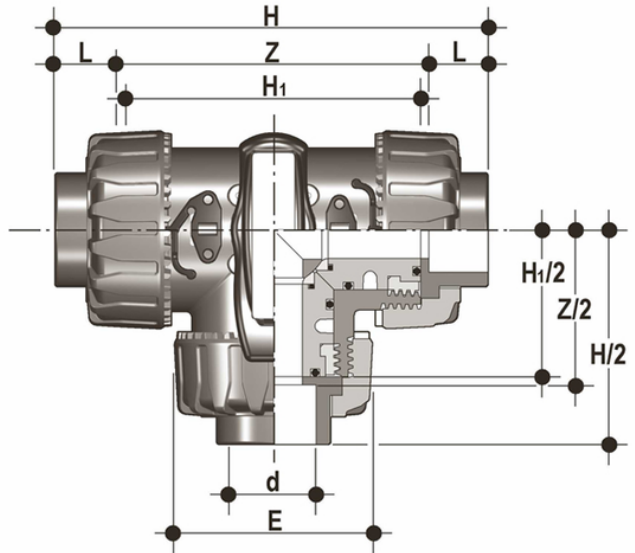


DUAL BLOCK<sup>®</sup> 3-way ball valve with metric plain socket ends for solvent welding, T bore.



| Reference | d  | DN | PN | E   | H     | H <sub>1</sub> | L  | Z     | g    |
|-----------|----|----|----|-----|-------|----------------|----|-------|------|
| TKDIA020F | 20 | 15 | 16 | 54  | 118   | 80             | 16 | 86    | 310  |
| TKDIA025F | 25 | 20 | 16 | 65  | 145   | 100            | 19 | 107   | 550  |
| TKDIA032F | 32 | 25 | 16 | 73  | 160   | 110            | 22 | 116   | 790  |
| TKDIA040F | 40 | 32 | 16 | 86  | 188.5 | 131            | 26 | 136.5 | 1275 |
| TKDIA050F | 50 | 40 | 16 | 98  | 219   | 148            | 31 | 157   | 1660 |
| TKDIA063F | 63 | 50 | 16 | 122 | 266.5 | 179            | 38 | 190.5 | 2800 |