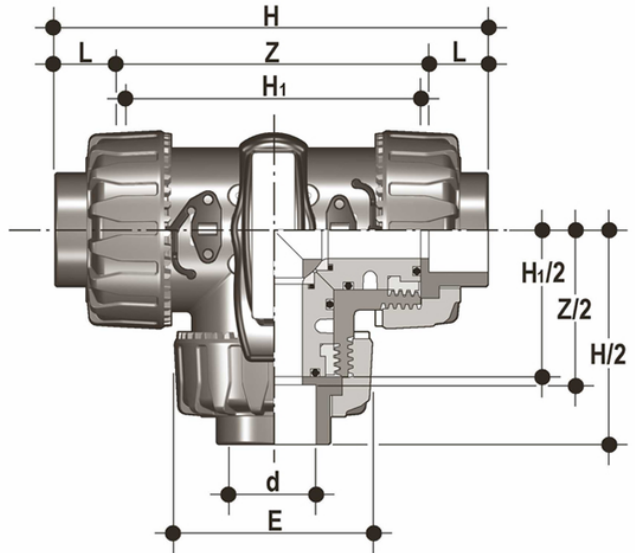


EPDM

DUAL BLOCK[®] 3-way ball valve with metric plain socket ends for solvent welding, T bore.



Reference	d	DN	PN	E	H	H ₁	L	Z	g
TKDIA020E	20	15	16	54	118	80	16	86	310
TKDIA025E	25	20	16	65	145	100	19	107	550
TKDIA032E	32	25	16	73	160	110	22	116	790
TKDIA040E	40	32	16	86	188.5	131	26	136.5	1275
TKDIA050E	50	40	16	98	219	148	31	157	1660
TKDIA063E	63	50	16	122	266.5	179	38	190.5	2800