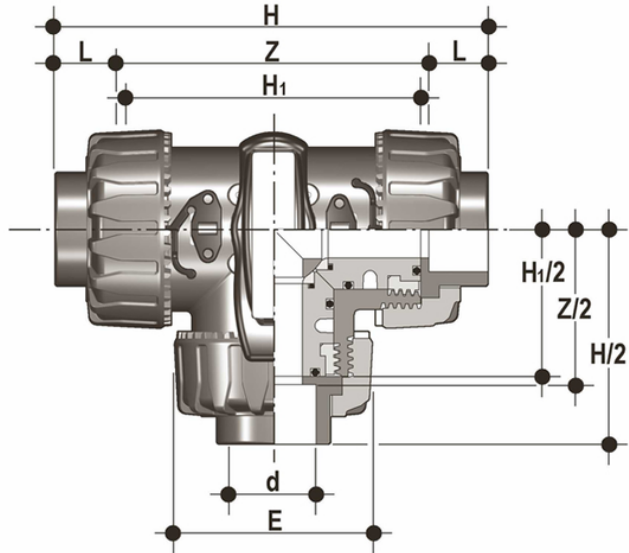


DUAL BLOCK[®] 3-way ball valve with metric plain socket ends for solvent welding, L bore.



Reference	d	DN	PN	E	H	H ₁	L	Z	g
LKDIA020F	20	15	16	54	118	80	16	86	310
LKDIA025F	25	20	16	65	145	100	19	107	550
LKDIA032F	32	25	16	73	160	110	22	116	790
LKDIA040F	40	32	16	86	188.5	131	26	136.5	1275
LKDIA050F	50	40	16	98	219	148	31	157	1660
LKDIA063F	63	50	16	122	266.5	179	38	190.5	2800