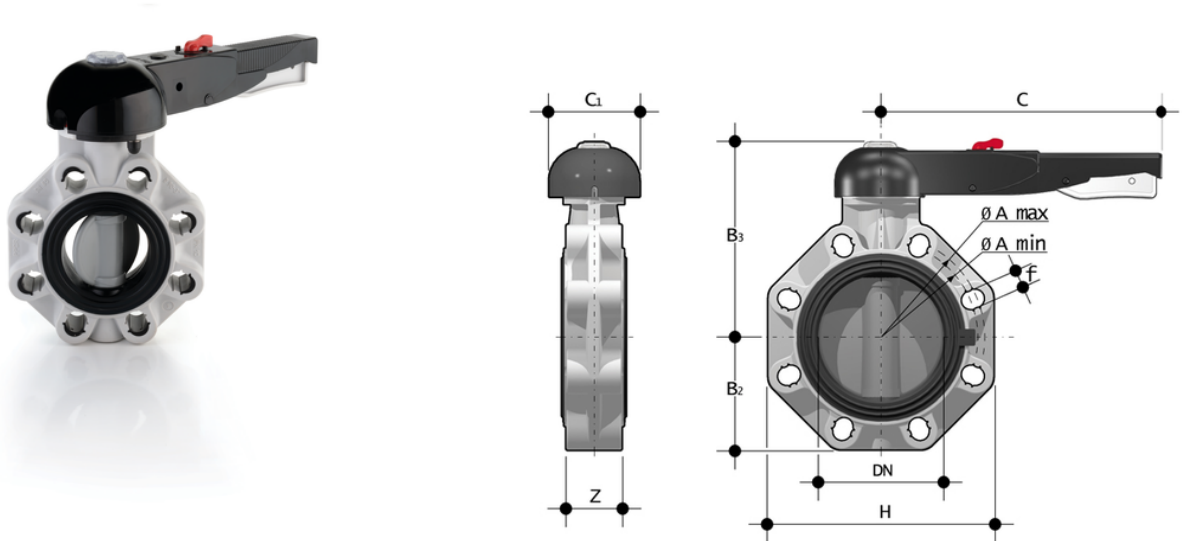


# FKOA/LM – BUTTERFLY VALVE

Hand operated Butterfly valve.



## EPDM

Reference	d-Size	DN	PN	A min	A max	B[5:2]	B[5:3]	C	C[5:1]	H	U	Z	g
FKOALM050E	50 - 1"1/2	40	16	99	109	60	137	175	100	132	4	33	918
FKOALM063E	63 - 2"	50	16	115	125,5	70	143	175	100	147	4	43	1081
FKOALM075E	75 - 2"1/2	65	10	128	144	80	164	175	110	165	4	46	1254
FKOALM090E	90 - 3"	80	10	145	160	93	178	272	110	185	12	49	1987
FKOALM110E	110 - 4"	100	10	165	190	107	192	272	110	211	8	56	2405
FKOALM140E	140 - 5"	125	10	204	215	120	212	330	110	240	8	64	3347
FKOALM160E	160 - 6"	150	10	230	242	134	225	330	110	268	8	70	4212
FKOALM225E	225 - 8"	200	10	280	298	161	272	420	122	323	8	71	7250

## FKM

Reference	d-Size	DN	PN	A min	A max	B[5:2]	B[5:3]	C	C[5:1]	H	U	Z	g
FKOALM050F	50 - 1"1/2	40	16	99	109	60	137	175	100	132	4	33	918
FKOALM063F	63 - 2"	50	16	115	125,5	70	143	175	100	147	4	43	1081
FKOALM075F	75 - 2"1/2	65	10	128	144	80	164	175	110	165	4	46	1254
FKOALM090F	90 - 3"	80	10	145	160	93	178	272	110	185	12	49	1987
FKOALM110F	110 - 4"	100	10	165	190	107	192	272	110	211	8	56	2405
FKOALM140F	140 - 5"	125	10	204	215	120	212	330	110	240	8	64	3347



# FKOA/LM – BUTTERFLY VALVE

Reference	d-Size	DN	PN	A min	A max	B[5:2]	B[5:3]	C	C[5:1]	H	U	Z	g
FKOALM160F	160 - 6"	150	10	230	242	134	225	330	110	268	8	70	4212
FKOALM225F	225 - 8"	200	10	280	298	161	272	420	122	323	8	71	7250

# FKOA/LM – BUTTERFLY VALVE

- Ergonomic handle in **HIPVC** equipped with **locking and unlocking device, release, quick operation and graduated adjustment** in 10 intermediate positions (DN 40÷200). The operating range, starting from the first few degrees of valve opening, also guarantees extremely low pressure drops.
- **Customisable Labelling System**: integrated module in the handle, made of a transparent protection plug and a customisable tag holder using the LSE set (available as an accessory). The **customisation** lets you **identify the valve on the system** according to specific needs.
- **STAINLESS steel square section stem** completely isolated from the fluid complying with standard ISO 5211: DN 40÷65: 11 mm DN 80÷100: 14 mm DN 125÷150: 17 mm DN 200: 22 mm DN 250÷300: 27 mm
- **Body** in polypropylene based **compound reinforced with fibreglass (PP-GR)** **resistant to UV rays** and characterised by **high mechanical strength**.
- **Drilling pattern using oval slots** that allow coupling to flanges according to numerous international standards. The special **self-centring inserts in ABS** supplied for DN 40÷200 guarantee the **correct axial alignment** of the valve during installation. For DN 250÷400 valves, the drilling pattern for the selfcentring system is of the traditional type according to DIN and ANSI standards.
- **Interchangeable liner** with the dual function of forming a hydraulic seal and isolating the body from the fluid.
- Interchangeable Disk in PVC-C with through shaft, available in different thermoplastic materials: PVC-U, PP-H, ABS, PVDF
- Overall dimensions of the valve in accordance with standard ISO 5752 (DN 40÷200 Medium Series 25, DN 250÷ 300 Long Series 16) and DIN 3202 K2 and ISO 5752 (DN 65÷200 K2, DN 250÷300 K3)
- Can also be installed as an end line valve, bottom discharge valve or tank dump valve
- **Special Lug version** PN 10 fully drilled to DIN 2501 or ANSI B16.5 cl.150 with **molded-in AISI 316 stainless steel threaded inserts**
- Possibility of installing a manual reducer or pneumatic and/or electric actuators by applying ISO standard drilling pattern PP-GR flanges. DN 40 ÷ 200 valve fitted with plate with rack in PP-GR. For actuated versions with flange drilled according to ISO 5211 F05, F07, F10
- DN 250÷300 valve, fitted with one-piece top flange in high mechanical strength PP-GR with mounting flange for internal components with drilling according to standard ISO 5211 F10, F12, F14
- Possibility to have handle with integrated LSQT limit micro switch, even as a retrofit in existing installations