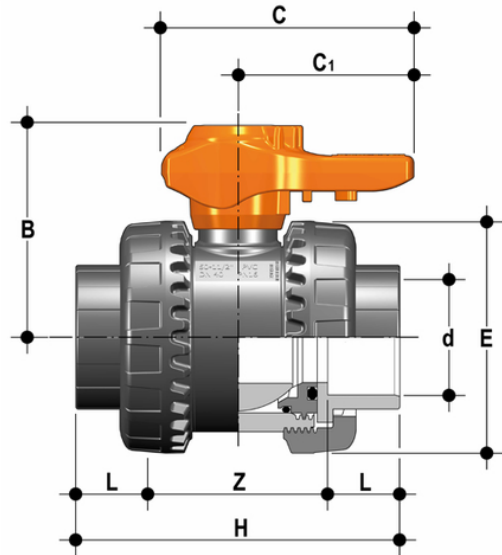


VXEIA - Easyfit 2-way ball valve DN 10:50

Easyfit 2-way ball valve with female ends for solvent welding, metric series.



EPDM

| Reference | d | DN | PN | B | C | C ₁ | E | H | L | Z | g |
|-----------|----|----|----|-----|-----|----------------|-----|-----|----|----|------|
| VXEIA016E | 16 | 10 | 16 | 49 | 64 | 44 | 54 | 82 | 16 | 50 | 180 |
| VXEIA020E | 20 | 15 | 16 | 49 | 64 | 44 | 54 | 82 | 16 | 50 | 175 |
| VXEIA025E | 25 | 20 | 16 | 62 | 78 | 55 | 63 | 91 | 19 | 53 | 260 |
| VXEIA032E | 32 | 25 | 16 | 71 | 87 | 60 | 72 | 103 | 22 | 59 | 365 |
| VXEIA040E | 40 | 32 | 16 | 82 | 102 | 72 | 85 | 120 | 26 | 68 | 565 |
| VXEIA050E | 50 | 40 | 16 | 92 | 109 | 76 | 100 | 139 | 31 | 77 | 795 |
| VXEIA063E | 63 | 50 | 16 | 110 | 133 | 94 | 118 | 174 | 38 | 98 | 1325 |

FKM

| Reference | d | DN | PN | B | C | C ₁ | E | H | L | Z | g |
|-----------|----|----|----|-----|-----|----------------|-----|-----|----|----|------|
| VXEIA016F | 16 | 10 | 16 | 49 | 64 | 44 | 54 | 82 | 16 | 50 | 180 |
| VXEIA020F | 20 | 15 | 16 | 49 | 64 | 44 | 54 | 82 | 16 | 50 | 175 |
| VXEIA025F | 25 | 20 | 16 | 62 | 78 | 55 | 63 | 91 | 19 | 53 | 260 |
| VXEIA032F | 32 | 25 | 16 | 71 | 87 | 60 | 72 | 103 | 22 | 59 | 365 |
| VXEIA040F | 40 | 32 | 16 | 82 | 102 | 72 | 85 | 120 | 26 | 68 | 565 |
| VXEIA050F | 50 | 40 | 16 | 92 | 109 | 76 | 100 | 139 | 31 | 77 | 795 |
| VXEIA063F | 63 | 50 | 16 | 110 | 133 | 94 | 118 | 174 | 38 | 98 | 1325 |

VXEIA – Easyfit 2-way ball valve DN 10:50

- Two position **Easyfit ergonomic multifunctional handle with union nut tightening control** which can be used to **adjust ball seat carriers**. Handle use is especially indicated for **maintenance** work where **space is limited** and hard to access
- **Customisable Labelling System: built-in LCE module** on the handle made up of a transparent protection plug and customisable tag holder with LSE set (available as accessory). The customisation potential lets you **identify the valve on the system** according to specific needs
- **The PTFE ball seat system with locked carrier** adjustable via Easyfit multifunctional handle or Easytorque adjustment kit (available as an accessory)
- High surface finish **valve stem with double O-Ring**, produced in CNC work stations to achieve precise dimensional tolerance and increased reliability
- Machined high surface finish ball that guarantees a smooth operation and increased reliability
- **Patented Easyfit system**: innovative mechanism based on the principle of the bevel gear pair that controls valve union nut rotation during installation
- Connection system for solvent weld and threaded joints
- **Valve material compatibility** (PVC-C) and elastomer **seal elements** (EPDM or FKM), with water, drinking water and other food substances as per **current regulations**
- Easy radial disassembly allowing quick replacement of O-rings and ball seats without any need for tools
- **PN16 True Union valve body** made for PVC-C injection moulding and European Directive 2014/68/EU (PED) compliant for pressurised equipment. ISO 9393 compliant test requirements
- Fully interchangeable with previous VX Ergo series models
- Option of disassembling downstream pipes with the valve in the closed position
- Floating **full bore ball** with high surface finish made in CNC work stations to achieve precise dimensional tolerance and high surface finish