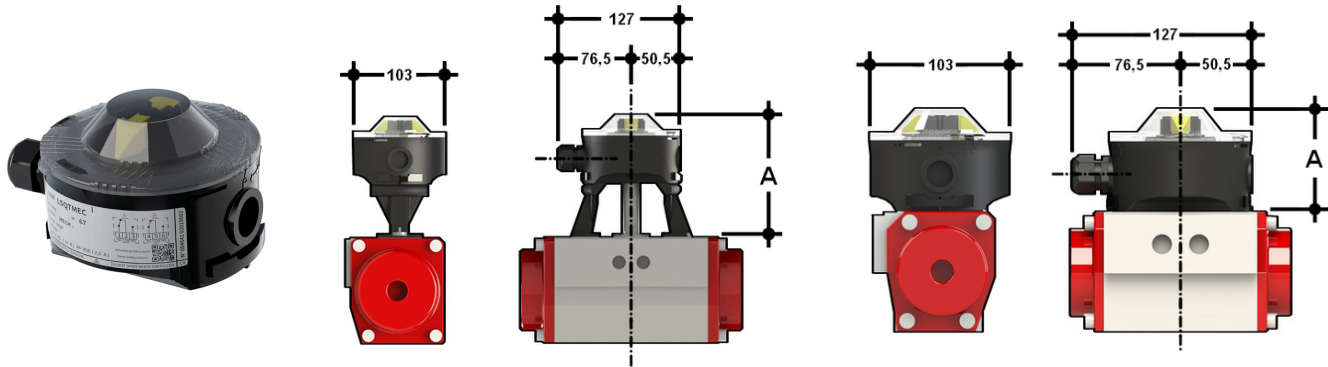


LSQTMEC Electromechanical microswitches box

IP67 box containing two electro-mechanical microswitches and configurable optical indicator



Reference	To be used with:	DN
LSQTMEC	VKD - TKD - FE - FK - VXE	65 ÷ 100